

DL2 Datalogger



rosenthal design 

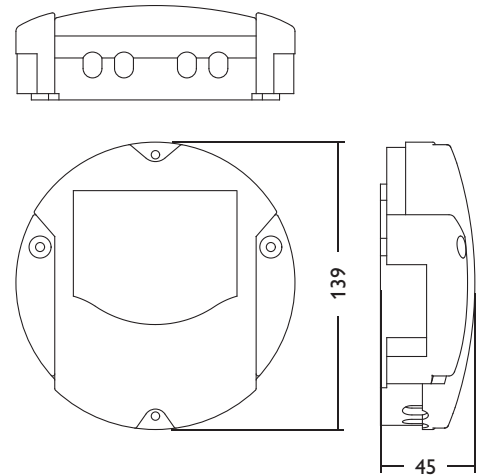
This additional module enables the acquisition and storage of large amounts of data (such as measuring and balance values of the solar system) over a long period of time. System access is possible with just a few clicks via the VBus.net Internet portal. For transmission of the data stored in the internal memory of the DL2 to a PC, an SD card can be used.

The DL2 is appropriate for all controllers with RESOL VBus®. The datalogger can be connected directly to a PC or router for remote enquiry and thus enables comfortable system monitoring for yield monitoring or for diagnostics of faults.

- Visualisation of system states
- Yield monitoring
- Easy error diagnostics
- Internet access via VBus.net
- Export function for further data processing in spreadsheet programs
- Direct connection of PC or router for remote enquiry



TECHNICAL DATA



Housing: plastic PC-ABS and PMMA

Ingress protection: IP 20/EN 60529

Protection class: III

Ambient temperature: 0 ... 40 °C

Dimensions: Ø 130 mm, depth 45 mm

Mounting: wall mounting

Display: bar LED for monitoring the memory capacity, 1 illuminated push button for indication of the SD card status

Interfaces: RESOLVBus® for the connection to the controller; LAN

Power supply:

input voltage of mains adapter:

100 ... 240 V~, 50-60 Hz

rated current: 350 mA

input voltage of Datalogger: 5V_{DC} ± 5%

Memory: 180 MB internal memory, with a logging interval of 5 min sufficient for:

- 21 months for a systems with one DeltaSol® MX, 3 EM, 3 heating circuits and 1 HQM
- 26 months for a system with one DeltaSol® MX, 1 EM and 1 heating circuit
- 33 months for a system with one DeltaSol® MX

The Datalogger can be branded with your own logo. Please contact our sales team.

RESOL®
CONTROL TECHNOLOGY



VBus.net

The www.VBus.net Internet portal – your system data displayed as live data, diagrams and tables