

# Three Phase Inverter

Omniksol-6k/8k-TL2



**10** year Warranty



## Product features

### Features

- Standard 10 years warranty, 5-25 years optional
- Built-in GPRS as option
- Built-in Wifi as option
- External Inductor
- Smaller and lighter, only 22kg
- High performance DSP for algorithm control
- VDE-AR-N 4105 certification
- New topology design
- Dual MPPT design
- IP65 waterproof and dustproof level
- Multi-button touch interface
- LCD screen visible at night
- Have anti-shading function

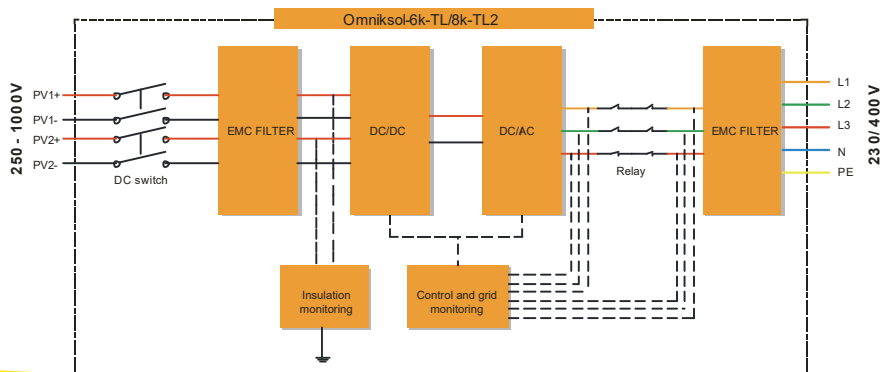
### Advantages

- Longer life cycle
- Plug and play
- Free monitoring through our webportal
- Very lower internal temperature
- Easy transportation and installation
- Faster CPU speed
- Adjustable active and reactive power
- Maximum conversion efficiency up to 98.2%, Euro up to 97.5%
- More flexible system design
- Maximized system profit
- User friendly operation
- 24 hour operation data readable on screen
- Suitable to complex installation environment

### Benefits

- More stable and reliable
- No commissioning work to get real-time remote monitoring
- More convenient monitoring solution without any charge
- Longer life cycle
- Saving storage and installation space
- Higher inverter control accuracy
- Meet the latest certification and regulations
- Increase generating capacity
- Increase system payback ability
- Fit in various installation environments
- Easy to operate
- Real-time operating condition accessible
- Increase the electricity generation of the system in shading environment

## Block Diagram



# Technical Data

## Omniksol-6k/8k-TL2

Type	Omniksol-6k-TL2	Omniksol-8k-TL2
<b>Input (DC)</b>		
Max. PV Power	6150W	8200W
Max. DC Voltage	1000V	1000V
Nominal DC Voltage	640V	640V
Operating MPPT Voltage Range	150-800V	150-800V
MPPT Voltage Range at Nominal Power	280-800V	300-800V
Start up DC Voltage	250V	250V
Turn off DC Voltage	150V	150V
Max. DC Current	11A/11A	14A/14A
Max. Short Circuit Current for each MPPT	16A/16A	20A/20A
Number of MPP trackers	2	2
Max. Input Power for each MPPT	4000W	5000W
Number of DC Connection	A:2/B:2	A:2/B:2
DC Connection Type	MC4 connector	MC4 connector
<b>Output (AC)</b>		
Max. AC Apparent Power	6000VA	8000VA
Nominal AC Power(cos phi = 1)	6000W	8000W
Nominal AC Voltage	3/N/PE; 220/380V	3/N/PE; 220/380V
	3/N/PE; 230/400V	3/N/PE; 230/400V
	3/N/PE; 240/415V	3/N/PE; 240/415V
Nominal Grid Frequency	50Hz/60Hz	50Hz/60Hz
Max. AC Current	10.7A	13.6A
Grid Voltage Range*	185-276V	185-276V
Grid Frequency Range*	45-55Hz/55-65Hz	45-55Hz/55-65Hz
Power Factor	0.8 capacitive...0.8 inductive	0.8 capacitive...0.8 inductive
Total Harmonic Distortion (THD)	<2%	<2%
Feed in Starting Power	30W	30W
Night time Power Consumption	<1W	<1W
Standby Consumption	<10W	<10W
AC Connection Type	Plug-in connector	Plug-in connector
<b>Efficiency</b>		
Max. Efficiency	98.2%	98.2%
Euro Efficiency	97.4%	97.5%
MPPT Efficiency	99.9%	99.9%
<b>Safety and Protection</b>		
DC Insulation Monitoring	Yes	
DC Switch	Optional	
Residual Current Monitoring Unit (RCMU)	Integrated	
Grid Monitoring with Anti-islanding	Yes	
Electricity Fuse Protection	Yes	
Protection Class	I (According to IEC 62103)	
Overvoltage Category	III(According to IEC 62109-1)	
<b>Reference Standard</b>		
Safety Standard	EN 62109, AS/NZS 3100	
EMC Standard	EN 61000-6-1, EN 61000-6-2, EN 61000-6-3, EN 61000-6-4, EN 61000-3-2, EN 61000-3-3	
Grid Standard	VDE-AR-N4105, VDE-0126-1-1, G83/2, EN 50438, RD1699, CEI 0-21, AS4777, C10/C11	
<b>Physical Structure</b>		
Dimensions (WxHxD)	352x421x172.5mm	
Weight	22kg	
Environmental Protection Rating	IP 65 (According to IEC 60529)	
Cooling Concept	Natural convection	
Mounting Information	Wall bracket	
<b>General Data</b>		
Operating Temperature Range	-25°C to +60°C(derating above 45°C)	
Relative Humidity	0% to 98%, no condensation	
Max. Altitude (above sea level)	2000m	
Noise Level	<40dB	
Isolation Type	Transformerless	
Display	20 x 4 LCD(800x480 TFT Graphic Display optional)	
Data Communication Interfaces	RS485(WiFi, GPRS optional)	
Computer Communication	USB	
Standard Warranty	10 Years (5-25 years optional)	



\*The AC voltage and frequency range may vary depending on specific country grid