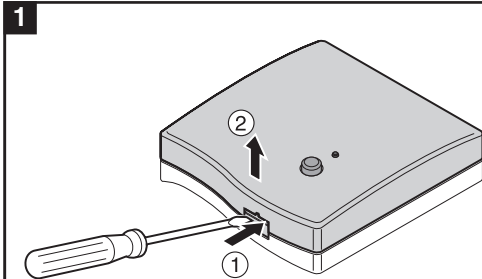


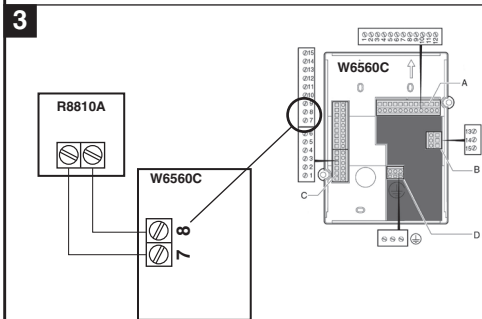
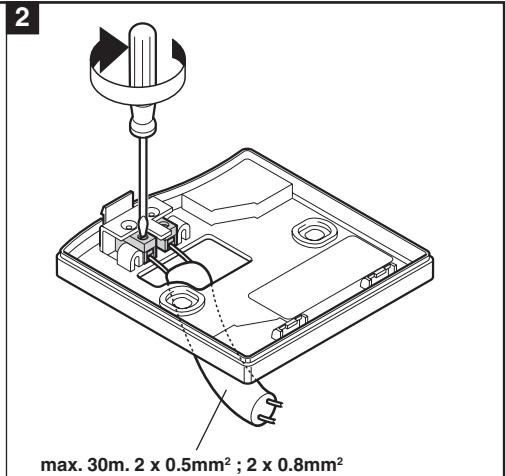
## R8810A1018 Installation Guide

Wireless Receiver for OpenTherm® appliances



**NOTE:** The **R8810A** contains no user serviceable parts. It should be opened and installed by qualified installer only.

**WARNING:** Electrostatic sensitive device! Do not touch the circuit board.

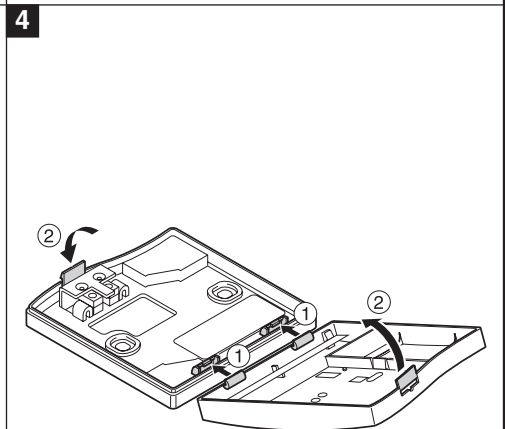


 OpenTherm® - communication

The **CM957** can be connected to other OpenTherm appliances. For the correct wiring connections refer to the installation manual of the OpenTherm device.




**NOTE:** All wiring must be in accordance with IEE regulations

**CAUTION:** Observe ambient temperature and current limits (see the **R8810A** wiring label)





## Checking communication of system

1. Check the **R8810A** is powered by looking at the LED. It will blink red once per second.
2. Check that there is sufficient signal strength from the **Wireless Programmable Room Thermostat** by performing the following check:

Hold the **Wireless Programmable Room Thermostat** about 2-3 metres from the installed **R8810A**. Switch the **Wireless Programmable Room Thermostat** to the **OFF** mode then press the  and  buttons together with the  button for 3 seconds. The **Wireless Programmable Room Thermostat** will send test signals to the **R8810A**, flashing the green LED on every 6 seconds (relay output will remain off) for a maximum of 10 minutes. When the green LED flashes on every 6 seconds proceed to the next step.

## Binding a new wireless component

1. Switch the **Wireless Programmable Room Thermostat** to the **OFF** mode.
2. Hold button on R8810A for 5 seconds. Red light will blink 1/2 second on and 1/2 second off when the device is in binding mode.
3. Hold ,  and program down buttons for 2 seconds. Display will show "InSt CO", with a line of text "CONTROL BINDING". The boiler and RF signal icons will be displayed.
4. Press green  button.
5. When Red LED on **R8810A** goes off, the devices are bound.

If binding is unsuccessful, then the LED will stay on. In this case, move the **Wireless Programmable Room Thermostat** and repeat the binding procedure from the beginning.

6. Once binding is complete, switch the **Wireless Programmable Room Thermostat** back to the **AUTO** mode, the LED on the **R8810A** will flash green every 10 seconds to indicate that the device is live.

## Communications Loss

If the communication is lost for a period of 1 hour the red LED will flash to indicate that no messages have been received during the last hour.

In the event of a communication loss signal, then please check the following and remedy as necessary:

1. Check the wiring between the **W6560C system controller** and correct if a fault is found.
2. Check the RF communication between the **Wireless Programmable Room Thermostat** using the method described above, and follow the check and binding procedure.

NB: If a wireless outdoor temperature sensor type HB85 is installed, check the batteries and replace as necessary before following the communication loss procedure.

## Electrical Guidance and Safety

- The **R8810A** has been manufactured in accordance with the following standards:  
EN60730-1, EN60730-9
- When performing any work with this product (installation, mounting, start-up), all instructions given by the manufacturer and in particular the safety instructions provided in the Installation instructions must be followed.
- Ensure that the **R8810A** wireless receiver is installed by a competent person.
- Ensure that the **R8810A** wireless receiver is installed according to local electrical regulations.
- Ensure that low voltage signal cables are kept as far apart as possible from AC mains voltage cables.
- If the **R8810A** is modified in any way, except by the manufacturer, all warranties concerning operation and safety are invalidated.

Manufactured for and on behalf of the Environment and Combustion Controls Division of Honeywell Technologies Sàrl, ACS-ECC EMEA, Z.A. La Pièce 16, 1180 Rolle, Switzerland by its Authorised Representative Honeywell Inc.

## Honeywell Control Systems Ltd.

Newhouse Industrial Estate,  
Motherwell  
Lanarkshire  
ML1 5SB  
www.honeywell.com



50034666-001 B  
© 2009 Honeywell International Inc.

# Honeywell